



2019-nCoV ANTIGEN TEST

Nasal swab self-testing

High Usability

Accurate Detection

Quick Result

Painless Testing

BfArM listed ! Authorized for self-testing in Germany.

Test for self-testing use - Temporary special approval after §11 MPG in Germany (BfArM GZ: 5640-S-179/21)

WHY SELF-TESTING?



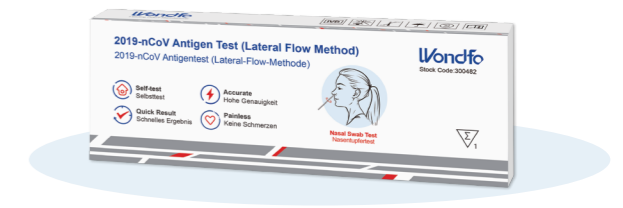
Self-performed test can accelerate the massive screening.



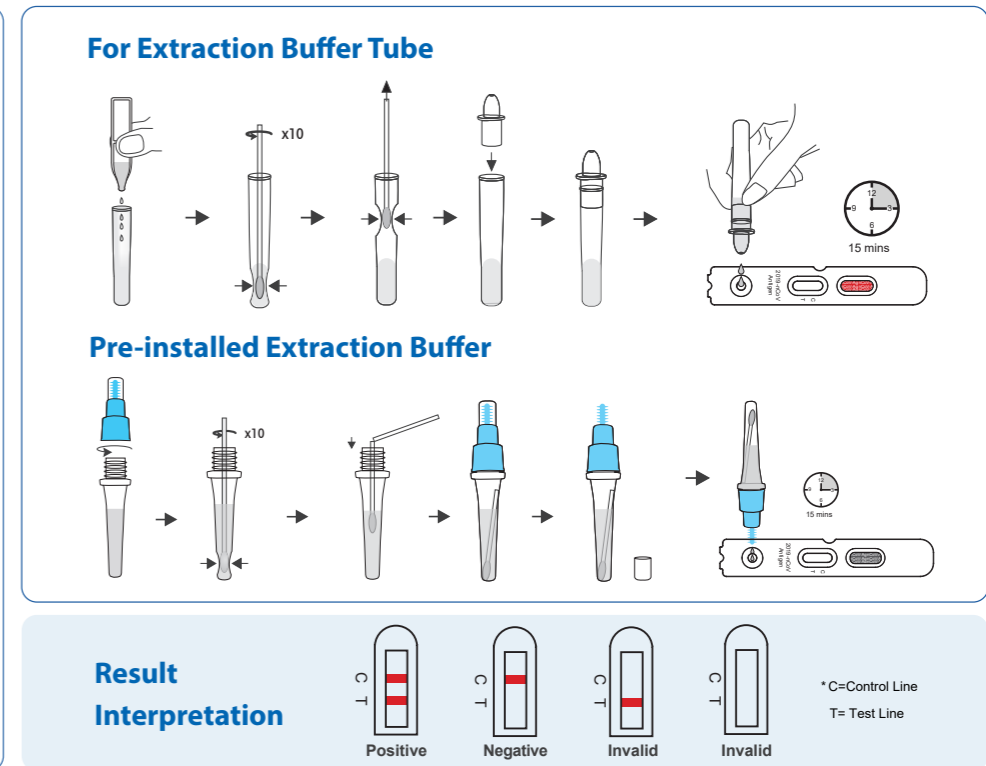
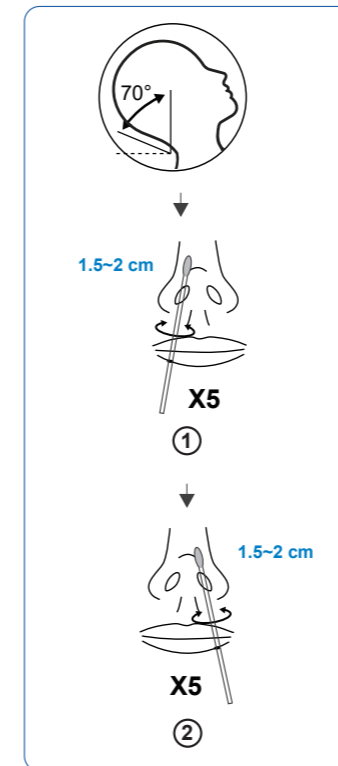
Knowing infection status of self and family members can better protect surrounding people.



High accessibility and usability of the test can assist the control of pandemic.



SELF-PERFORMED OPERATION



PRODUCT PERFORMANCE

Reagent	PCR		Total
	Positive	Negative	
Wondfo 2019-nCoV Antigen Test (Lateral Flow Method)	Positive	135	137
	Negative	3	216
Total	138	218	356

Sensitivity:
97.83% (95%CI: 93.78%~99.55%)
Specificity:
99.08% (95%CI: 96.73%~99.89%)
Total agreement:
98.60% (95%CI: 96.75%~99.54%)

ORDER INFORMATION

Catalog No.	Packing Size	Reaction Time	Shelf Life	Sample Type	Storage Temperature	Qualification
W634	1/5/10/20 T/kit	15~20 minutes	24 months	Nasal swab	2~30°C	BfArM

Guangzhou Wondfo Biotech Co., Ltd.
No. 8 Lizhishan Road, Science City, Luogang District,
510663 Guangzhou, P.R.China
Tel: (+86) 400-830-8768
Website: www.wondfo.com.cn
E-mail: Sales@wondfo.com.cn

